

LA-UR-24-28891

Approved for public release; distribution is unlimited.

Title: IDEA ID No. 856 - Los Alamos National Laboratory, Permit # 2195,
Exemption Notice for TA-03-0502 PVA Delta 6 Selective
Coating/Dispensing System

Author(s): Mahoney, Katelyn Rose

Intended for: Environmental Regulatory Document
Issued: 2024-09-04 (rev.1)



Los Alamos National Laboratory, an affirmative action/equal opportunity employer, is operated by Triad National Security, LLC for the National Nuclear Security Administration of U.S. Department of Energy under contract 89233218CNA000001. By approving this article, the publisher recognizes that the U.S. Government retains nonexclusive, royalty-free license to publish or reproduce the published form of this contribution, or to allow others to do so, for U.S. Government purposes. Los Alamos National Laboratory requests that the publisher identify this article as work performed under the auspices of the U.S. Department of Energy. Los Alamos National Laboratory strongly supports academic freedom and a researcher's right to publish; as an institution, however, the Laboratory does not endorse the viewpoint of a publication or guarantee its technical correctness.



Memorandum
Environmental Protection & Compliance Division
Compliance Programs Group

To: File
Through: Heather Seus, EPC-CP, MS J978 ^{HCS}
From: Katelyn Mahoney, EPC-CP, MS J978 ^{KRM}
Phone: 505-396-0619
Symbol: EPC-DO: 24-196
LAUR: 24-28891
Date: September 3, 2024

Subject: IDEA ID No. 856 – Los Alamos National Laboratory, Permit # 2195, Exemption Notice for TA-03-0502 PVA Delta 6 Selective Coating/Dispensing System

In accordance with the requirements of 20.2.72 NMAC Section 219 A.1.e for administrative permit revisions, Los Alamos National Laboratory (LANL) is providing notification to incorporate an exempt source as defined in Section 202.B. The Administrative Permit Revision Form is included as Attachment 1.

The Intelligence and Space Research Division at LANL plans to purchase and use a PVA Delta 6 Selective Coating/Dispensing System to improve operations for existing coating activities. This project will upgrade and modernize the process for applying conformal coating to electronic printed circuit boards. Rather than applying coating using manual methods this new process would automate it resulting in greater consistency. The Delta 6 takes a pre-mixed 2-part epoxy mixed with thinner (Arathane 5750 A/B and Ultralane Thinner #1) and sprays the final mix over the printed circuit board creating the coated surface needed for space electronic boards. The Delta 6 is enclosed except for the conveyor inlet/outlet openings. Vendor specifications are included in Attachment 2. These activities are considered exempt under 20.2.72.202.B.6 NMAC for surface coating of equipment.

The applicable exemption in Section 202.B.6 states:

Surface coating of equipment, including spray painting, roll coating, and painting with aerosol spray cans, if:

- (a) The potential emission rate of VOCs do not exceed ten (10) pounds per hour;*
- (b) The facility-wide total VOC content of all coating and clean-up solvent use is less than two (2) tons per year; and*
- (c) The owner or operator maintains sufficient record keeping to verify that the requirements in Sub-paragraphs (a) and (b) of this paragraph are met.*

As a requirement of LANL's Title V Operating Permit (P100-R2M5, Section 900 regulating facility-wide chemical use) LANL tracks and reports on facility-wide VOC emissions from chemical use including the evaluation of paints and coatings. VOC emissions from paints and coatings have always been below two (2) tons per year.

The activities that will be conducted in the Delta 6 are existing activities that are included in the analysis conducted and will be included in the Title V facility-wide VOC emissions. Using a conservative spray rate of 9 cc/min and the VOC content of 0.29 grams of VOCs per gram of the final mix, the maximum hourly VOC emissions are 0.32 pounds per hour, well below the exemption threshold of 10 pounds per hour. Attachment 3 provides the most recent 2 years of data on VOC content from paints and coatings, these show that the facility-wide total VOC content for coating use is less than 2 tons per year. Paint purchases will continue to be tracked in LANL's facility-wide chemical inventory database and annual

emissions from painting activities will be reviewed to ensure that compliance with this exemption or permitting requirements continues to be met.

Attachment 4 provides a summary of applicability of 40 CFR 63, Subpart HHHHHH and Subpart XXXXXX and explains why LANL is not subject to either of these regulations.

We request this exempt unit be placed on the Air Quality Permit #2195 as an administrative revision (2195 R-102). If you have any questions, please feel free to contact Katelyn Mahoney (Triad) at (505) 396-0619 or Heather Seus (Triad) at (505) 412-8832.

Attachment(s): Attachment 1 Air Quality Administrative Revision Form for TA-03-0502 PVA Delta 6 Selective Coating/Dispensing System
Attachment 2 Vendor Specifications for PVA Delta 6 Selective Coating/Dispensing System
Attachment 3 LANL Facility-Wide VOC Emissions from Painting for 2022 and 2023
Attachment 4 NESHAP Applicability Summary

Copy: Karen E. Armijo, NA-LA, karen.armijo@nnsa.doe.gov
Robert A. Gallegos, NA-LA, robert.gallegos@nnsa.doe.gov
Stephen N. Jochem, NA-LA, stephen.jochem@nnsa.doe.gov
Steven A. Coleman, Triad, ALDESHQ, scoleman@lanl.gov
Jennifer E. Payne, Triad, ALDESHQ, jpayne@lanl.gov
Jeannette T. Hyatt, Triad, EWP, jhyatt@lanl.gov
Steven L. Story, Triad, EPC-DO, story@lanl.gov
Katherine J. W. Higgins, Triad, EPC-DO, kwurden@lanl.gov
Sarah S. Holcomb, Triad, EPC-CP, sholcomb@lanl.gov
Maxine M. McReynolds, Triad, GC-ESH, mcreynolds@lanl.gov
Christopher C. Stoneback, Triad, GC-ESH, cstoneback@lanl.gov
Andrew G. Thiros, Triad, GC-ESH, thiros@lanl.gov
Heather C. Seus, Triad, EPC-CP, heatherseus@lanl.gov
Katelyn R. Mahoney, Triad, EPC-CP, kmahoney@lanl.gov
Patrick N. Kirpes, Triad, ISR-4, pkirpes@lanl.gov
JP Martinez, Triad, ISR-5, jpmtz@lanl.gov
Ethan A. Randall, Triad, ISR-5, ethanr@lanl.gov
Triad, EPC-CP Permit Application File
lasomailbox@nnsa.doe.gov
epccorrespondence@lanl.gov
eshq-dcrm@lanl.gov
gc-esh@lanl.gov

ATTACHMENT 1

Air Quality Administrative Revision Form for TA-03-0502 PVA Delta 6 Selective Coating/Dispensing System

EPC-DO: 24-196

LA-UR-24-28891

Date: September 3, 2024

Permitting Administrative Multi-Form

Use for NSR administrative permit revisions (including GCPs), TV administrative amendments, TV responsible official notifications, and other submittals required by a permit condition. Refer to Section 4 for instructions, acronyms, and mailing addresses.

Mail Application To: New Mexico Environment Department Air Quality Bureau 525 Camino de los Marquez, Suite 1 Santa Fe, New Mexico, 87505 Phone (505) 476-4300 Fax (505) 476-4375 www.env.nm.gov/aqb		For Department use only – Received Date: <input type="checkbox"/> Approved <input type="checkbox"/> Completed <input type="checkbox"/> Denied Permit revision number: Reviewed by & date:
--	---	--

Section 1: General Information – Required for All Submittals

1	Facility Name: Los Alamos National Laboratory								
2	Preparer/Consultant Name: Katelyn Mahoney	Title: Environmental Professional – Air Quality							
3	Email: kmahoney@lanl.gov	Phone: 505-396-0619							
4	Address: P.O. Box 1663, MS J978, Los Alamos, NM 87545								
5	Air Permit Contact: Heather Seus	Title: Meteorology & Air Quality Team Leader							
6	Email: heatherseus@lanl.gov	Phone: 505-412-8832							
7	Address: P.O. Box 1663, MS J978, Los Alamos, NM 87545								
8	Check all boxes below for which this submittal applies:	AI #: 856	Permit #: 2195						
<table style="width: 100%; border-collapse: collapse;"> <tr> <td style="width: 33%; border: 1px solid black; padding: 2px;"> <input type="checkbox"/> NSR Construction Permit (20.2.72 NMAC) </td> <td style="width: 33%; border: 1px solid black; padding: 2px;"> <input type="checkbox"/> NOI (20.2.73 NMAC) (Sections 2-B, 2-D) </td> <td style="width: 33%; border: 1px solid black; padding: 2px;"> <input type="checkbox"/> PSD Permit (20.2.74 NMAC) </td> </tr> <tr> <td style="border: 1px solid black; padding: 2px;"> <input type="checkbox"/> TV Operating Permit (20.2.70 NMAC) </td> <td style="border: 1px solid black; padding: 2px;"> <input checked="" type="checkbox"/> Notice of Exemption (20.2.72.202.B NMAC) (Section 2-F) </td> <td style="border: 1px solid black; padding: 2px;"> <input type="checkbox"/> Nonattainment Permit (20.2.79 NMAC) </td> </tr> </table>				<input type="checkbox"/> NSR Construction Permit (20.2.72 NMAC)	<input type="checkbox"/> NOI (20.2.73 NMAC) (Sections 2-B, 2-D)	<input type="checkbox"/> PSD Permit (20.2.74 NMAC)	<input type="checkbox"/> TV Operating Permit (20.2.70 NMAC)	<input checked="" type="checkbox"/> Notice of Exemption (20.2.72.202.B NMAC) (Section 2-F)	<input type="checkbox"/> Nonattainment Permit (20.2.79 NMAC)
<input type="checkbox"/> NSR Construction Permit (20.2.72 NMAC)	<input type="checkbox"/> NOI (20.2.73 NMAC) (Sections 2-B, 2-D)	<input type="checkbox"/> PSD Permit (20.2.74 NMAC)							
<input type="checkbox"/> TV Operating Permit (20.2.70 NMAC)	<input checked="" type="checkbox"/> Notice of Exemption (20.2.72.202.B NMAC) (Section 2-F)	<input type="checkbox"/> Nonattainment Permit (20.2.79 NMAC)							

Section 2: Details of Submittal

Only print and submit the pages necessary for your submittal. Print double sided head-to-toe, flip on short end (tablet). The Permit Section responds to all TV Administrative amendments and responds only to denials of NSR administrative revisions. Courier proof of delivery is required if you want confirmation that the Department received this submittal. Check the box(es) applicable to this submittal:

- | | |
|--|--|
| <ul style="list-style-type: none"> <input type="checkbox"/> 2-A(i) & 2-A(ii): Identical Engine or Turbine Replacements <input type="checkbox"/> 2-B: Owner, Operator, and Name Changes to NOIs or Construction Permits <input type="checkbox"/> 2-C: Ownership or Operational Control Changes for Title V Permits <input type="checkbox"/> 2-D: Closing a Facility or Removing Units from a Permit or Canceling an NOI | <ul style="list-style-type: none"> <input type="checkbox"/> 2-E: Correct Typographical Error <input checked="" type="checkbox"/> 2-F: Reporting Exempt Equipment for Minor Construction Permits or for No Permit Required (NPR) Facilities <input type="checkbox"/> 2-G: Add Minor NSR Exempt Equipment to Construction Permits for PSD or Nonattainment Sources <input type="checkbox"/> 2-H: Title V Responsible Official Designations |
|--|--|

Section 2-F: Reporting Exempt Equipment for Minor Construction Permits or for No Permit Required (NPR) Facilities

Certain equipment can be added to minor construction permits as exempt equipment under 20.2.72.202.B NMAC as an administrative permit revision. (This exemption does not apply to facilities subject to 20.2.70 NMAC (TV), 20.2.74 NMAC (PSD), or 20.2.79 NMAC Nonattainment Sources. In those cases, use Section 2-G of this form.)

Construction permit Part 72 exemptions are not the same as operating permit TV insignificant activities (20.2.70.7.Q NMAC). If you have a TV permit and want to claim [Title V insignificant activities](#), they may be required to have authorization through a construction permit. Only the insignificant activities that meet the requirements of 20.2.72.202.B NMAC may be added using this form for an administrative permit revision.

The Potential to Emit (PTE) of regulated air contaminants from minor permit exempt equipment count toward the facility’s total emissions under the PSD, nonattainment, and TV regulations therefore, the addition of equipment using this form could possibly result in the facility becoming PSD, Nonattainment, or TV major.

Check the box(es) to indicate if your facility has a permit or is a no permit required (NPR) facility, check the box(es) for the equipment being added, and complete the table(s), if applicable. Include attachments as required.

Administrative Revision: This facility has a minor construction permit as designated in Section 1 of this application. This form is being submitted to add a piece(s) of equipment that qualifies as exempt under 20.2.72.202.B NMAC.

or

Notice of Exemption: This facility does not require a 20.2.72 NMAC permit, so it is designated as a no permit required (NPR) facility. This exemption form is being submitted to record that this equipment qualifies as exempt under 20.2.72.202.B NMAC. (This exemption does not apply to (cannot be added to) NOI (20.2.73 NMAC), TV (20.2.70 NMAC), PSD (20.2.74 NMAC), or nonattainment (20.2.79 NMAC) facilities.)

AQB used to require either the Notice of Exemption Form or Exemption Application Form for these facilities. This form replaces both of those forms.

Only fill out the information in this table if your facility is an NPR facility, we already have the information for permitted sites.

Facility Name:	Plant primary SIC Code (4 digits):
	Plant NAICS code (6 digits):
Facility Street Address (If no facility street address, provide directions from a prominent landmark):	
Company Name:	Phone:

Company Mailing Address:				
Air Contact:			Title:	
Email:			Phone:	
The facility is: <input type="text"/>	(distance) miles <input type="text"/>	(direction) of <input type="text"/>	Zip Code:	County:
<input type="text"/> (nearest New Mexico town or tribal community).				
Status of land (check one):				
<input type="checkbox"/> Private <input type="checkbox"/> Indian/Pueblo <input type="checkbox"/> Federal BLM <input type="checkbox"/> Federal Forest Service <input type="checkbox"/> State Land <input type="checkbox"/> Bernalillo County				

Section 2-F: Reporting Exempt Equipment for Minor Construction Permits or for No Permit Required (NPR) Facilities, continued

Minor Construction Permit (Part 72) or NPR Exempt Equipment

The equipment checked in this section meets the requirements of the exemption in 20.2.72.202 NMAC, will comply with all applicable federal requirements in 40 CFR Part 60 (NSPS) or 40 CFR Part 63 (MACT), and appropriate records will be created and retained for two (2) years (or five (5) years if a TV source):

Standby Generators

Standby generators which are operated only during the unavoidable loss of commercial utility power and less than 500 hours per year. (20.2.72.202.B(3) NMAC). Potentially applicable federal regulations: 40 CFR 63 Subpart ZZZZ and 40 CFR 60 Subparts JJJJ or IIII. Emission rates from emergency standby generators should be calculated assuming operation throughout the year (i.e., 8760 hours per year) to verify that it does not make your facility PSD, Nonattainment, or TV major.

Standby Generator Manufacturer	Serial Number	Date of Manufacture	Date of Installation ¹	Capacity (hp)
Name of commercial power provider ² :				

¹ Date of installation is the date the engine is placed and secured at the location where it is intended to be operated.

² Commercial power is purchased from a utility company, which specifically does not include power generated on-site for the sole purpose of the user.

Abrasive Blasting

Enclosed abrasive blasting operations; if no visible emissions from the building. (20.2.72.202.B(7) NMAC). Potentially applicable federal regulations: 40 CFR 63 Subpart XXXXXX - National Emission Standards for Hazardous Air Pollutants Area Source Standards for Nine Metal Fabrication and Finishing Source Categories. More information: www.env.nm.gov/air-quality/ind-sector-info/.

Surface Coating

Surface coating of equipment, including spray painting, roll coating, and painting with aerosol spray cans and all coating and clean-up solvent; if VOCs from paints and solvents do not exceed ten (10) pounds per hour and two (2) tons per year. (20.2.72.202.B(6) NMAC). Potentially applicable federal regulations (more information: www.env.nm.gov/air-quality/ind-sector-info/):

40 CFR 63 Subpart HHHHHH - National Emission Standards for Hazardous Air Pollutants: Paint Stripping and Miscellaneous Surface Coating Operations at Area Sources or

40 CFR 63 Subpart XXXXXX - National Emission Standards for Hazardous Air Pollutants Area Source Standards for Nine Metal Fabrication and Finishing Source Categories.

Volatile Organic Compound (VOC) Handling and or Storage

VOC emissions resulting from the handling or storing of any VOC emission source; if vapor pressure is less than two tenths (0.2) PSI at the storage and handling temperatures. (20.2.72.202.B(2) NMAC).

Fuel Burning Equipment

Fuel burning equipment used solely for heating buildings for personal comfort or producing hot water for personal use; if gaseous or liquid fuel and rated 5 MMBtu or less, or if distillate oil and 1 MMBtu or less. (20.2.72.202.B(1) NMAC).

Repositioning Sources at Plant

Repositioning or relocating sources of air emissions or emissions points within the plant site, but only when such change in physical configuration does not increase air emissions or the ambient impacts. (20.2.72.B(4) NMAC). Attach an updated plot plan. Permittees must ensure that relocation of any emissions source within the plant site does **not** increase the ambient impact and will not result in an exceedance of any National Ambient Air Quality Standard (NAAQS), New Mexico Ambient Air Quality Standard (NMAAQs), or PSD Increment. If not sure, please contact the Modeling Section Manager (505-476-4300).

Emissions Exempted Based on Quantity

Any emissions unit, operation, or activity that has the potential emission rate no more than one-half (1/2) ton per year of any regulated new source review pollutant. Units, operations, or activities of similar function shall be combined when calculating the emission rate. (20.2.72.202.B(5) NMAC).

Unit Description	Serial Number	Capacity (size)	Regulated Pollutants Emitted ³	PER ⁴ tpy

³ Particulate Matter (PM, PM₁₀, PM_{2.5}); Sulfur Dioxide (SO₂); Carbon Monoxide (CO); Nitrogen Dioxide (NO₂); Hydrogen Sulfide (H₂S); Lead (Pb); Total Reduced Sulfur; and Volatile Organic Compounds (VOC).

⁴ Potential emission rate, as defined in 20.2.72 NMAC. The PER is the worst-case emission rate of the facility without controls or other limitations (unless the controls or limitations are enforceable) and as if the facility were operating continuously 8760 hours per year (24 hour/day, 365 days/year).

Section 3: Certification – Required for All Submittals

Company Name: Triad National Security, LLC

I, Sarah S. Holcomb, hereby certify that the information and data submitted in this application are true and as accurate as possible, to the best of my knowledge and professional expertise and experience.

Signed this 29th day of August, 2024, upon my oath or affirmation, before a

notary of the State of New Mexico.



8/29/2024

Signature¹

Date

Sarah S. Holcomb

Group Leader

Printed Name

Title

Scribed and sworn before me on this 29th day of August, 2024.

My authorization as a notary of the State of New Mexico expires on the

12 day of June, 2027.



8/29/2024

Notary's Signature

Date

Maria Francesca Trujillo

Notary's Printed Name

STATE OF NEW MEXICO
NOTARY PUBLIC
MARIA FRANCESCA TRUJILLO
Commission Number 1057385
My Commission Expires June 12, 2027

¹ For Title V applications, the signature must be of the Responsible Official as defined in 20.2.70.7.AE NMAC:

ATTACHMENT 2
Vendor Specifications for PVA Delta 6
Selective Coating/Dispensing System

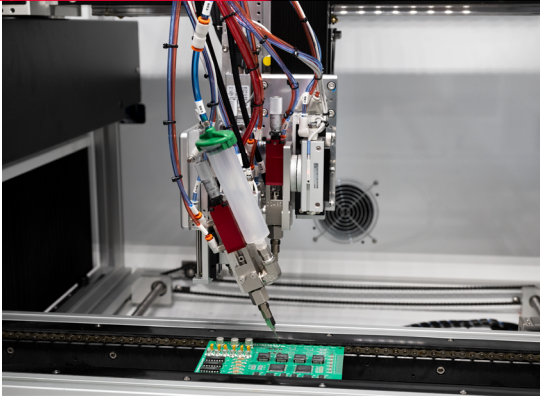
EPC-DO: 24-196

LA-UR-24-28891

Date: September 3, 2024



INNOVATION. PRECISION. EXCELLENCE.



System Specifications

Air

80 psi dry, unlubricated

Exhaust

Minimum 300 CFM

Power Requirements

120V, 220V, 50-60 Hz

Gantry System Design

Closed loop brushless DC servo motors with optical encoders and ball screw slides on all axes

Work Area (1 Valve / Tool):

521 mm x 485 mm x 100 mm
(20.51 in x 19.09 in x 3.94 in)

Payload Capacity

11.36 kg (25 lbs)

XYZ Repeatability

±25 microns (±0.001 in)

Resolution

5 microns (0.0002 in)

Maximum Acceleration

0.6 g (0.08 oz)

Maximum Speed

670 mm/sec (26.4 in/sec)

Footprint

847 mm x 1136.9 mm x 1995 mm
(33.35 in x 44.76 in x 78.54 in)

Programming Software

PathMaster® software with offline image import and programming capability

PathMaster X software with enhanced offline programming available on Direct Series models

PathMaster® is a registered trademark of Precision Valve & Automation, Inc.

Delta 6 Selective Coating/Dispensing System

The Delta 6 is a new, reimagined flexible robotic conformal coating/dispensing system that is ideal for selective coating, potting, bead, and meter-mix dispensing applications. The Delta 6 features a robust overhead three-axis motion platform suitable for inline or batch operations.

While maintaining the preferred features of previous workcells, the Delta 6 has been designed with a slimmer footprint, improved structural and gantry rigidity for robustness, and easier access.

The Delta 6 has many options and integrated features including:

- Patented servo-controlled optional four-axis motion featuring valve tilt and rotate
- Closed loop process control throughout gantry system
- Multiple dispensing applications or materials in one cell
- Onboard PC for unlimited program storage
- Exclusive PVA programming software designed for the Delta 6

For more information, please contact PVA at info@pva.net or (518) 371-2684.



Direct Series Delta 6
configured for PathMaster X.

REV - 1/2024

Headquarters
6 Corporate Drive | Halfmoon, NY 12065
tel +1 518 371 2684 | fx +1 518 371 2688
www.pva.net | info@pva.net

Delta 6

The Delta 6 is ideal for selective conformal coating and dispensing applications that require a high level of accuracy and repeatability in moderate to high volume manufacturing environments. It is a closed-loop robotic platform featuring optical encoder feedback on all axes.

Board Handling

Conveyor Type:	Flat belt or chain
Minimum Conveyor Width:	50 mm (1.97 in)
Maximum Conveyor Width:	500 mm (19.685 in)
Board Clearance Topside:	80 mm (3.15 in)
Board Clearance Underside:	80 mm (3.15 in)
Edge Clearance:	4.7 mm (0.185 in)
Transport Height:	940 mm - 965 mm (37 in - 38 in)
Communications Protocol:	SMEMA
Conveyor Options:	Lift and locate, through hole pin, under board support
Conveyor Speed:	Up to 24.4 m/min (80 ft/min)
Process Flow:	Programmable, right to left or left to right, bidirectional
Weight Limit:	Belt - 2.3 kg (5 lbs) Chain - 6.8 kg (15 lbs)

Common Fluid Applicators

Spray Valves:	FCS300-ES, FCS300-ES-UF, FCS300-R/F, FC100-CF
Dispense Valves:	FC100-MC, FCM100, SB300
Jetting Valve:	JDX
Auger Valves:	SV200, SVX
Progressive Cavity Pumps:	PCP, PDP
Material Feed Options:	Pressure vessel, drums, totes, syringe (1 - 55 cc), cartridge feed (6 - 20 oz)

PathMaster & PathMaster X Software Features

Operating System:	Windows
Offline Programming Option:	Yes
Program Storage:	Onboard PC
Monitor:	Flat screen ¹ , touchscreen ²
Machine Pendant:	Teach pendant with trackball ¹ X-PAD multi-function controller ²
USB Communication Port:	Yes
Low Level Exhaust Monitoring:	Yes

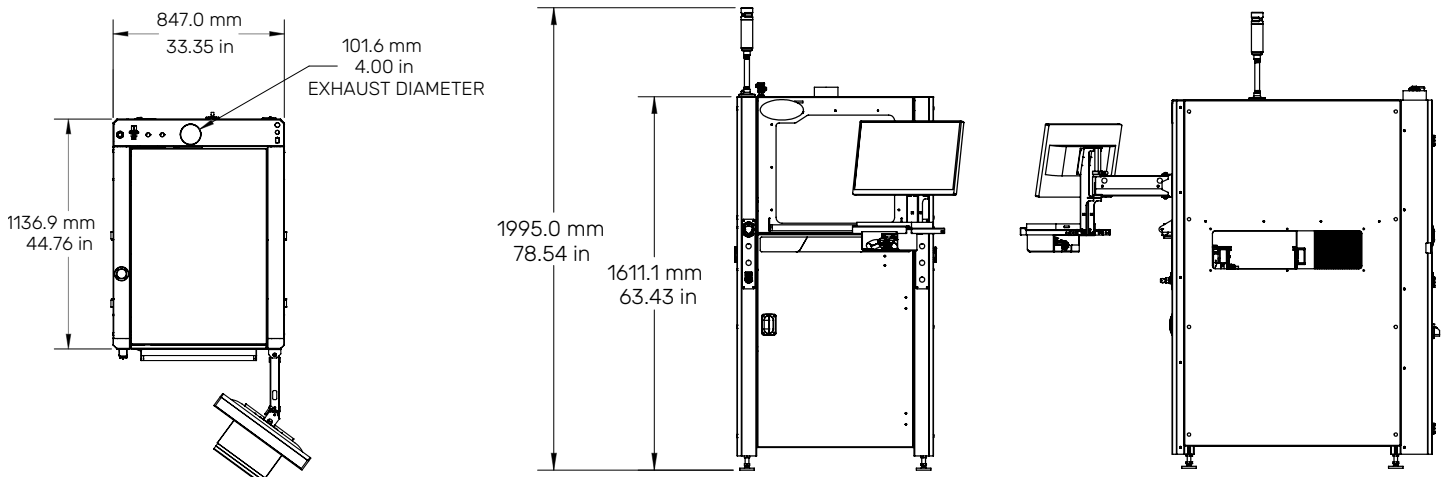
Optional Features

- Servo 4th Axis motion featuring valve tilt & rotate
- Closed-loop material flow monitoring
- Inline material metering
- Bar code program selection
- Low level fluid sensor
- Valve and/or fluid heating
- Programming camera
- Active vision with XY correction
- Substrate heating – contact or non-contact
- Dispense zone weigh scale
- Multi-zone conveyor
- Conveyor auto width adjust

¹ Exclusive to PathMaster

² Exclusive to PathMaster X

Power drop required - See machine spec for voltage



Models above are of a Direct Series Delta 6 configured for PathMaster X.
Dimensions may vary.

ATTACHMENT 3

LANL Facility-Wide VOC Emissions from Painting for 2022 and 2023

EPC-DO: 24-196

LA-UR-24-28891

Date: September 3, 2024

LANL's Facility-Wide VOC Content from Painting Activities for 2022 and 2023

Background:

As required in LANL's Title V Operating Permit (P100-R2M5, Section 900), LANL tracks and reports on facility-wide VOC emissions from chemical use including an evaluation of paints and coatings. The analysis presented here documents the facility-wide total VOC content from all painting activities for 2022 and 2023 to determine if it is less than two tons per year as required in 20.2.72 NMAC Section 202.B.6.

Data Source:

LANL tracks chemical purchases through a facility-wide chemical tracking system called ChemDB. A download from the ChemDB inventory system was created that included all chemical containers added to LANL's inventory for 2022 and 2023. This dataset included 61,229 chemicals purchased in 2022 and 54,525 chemicals purchased in 2023.

Mass Conversion:

For each chemical record, a mass conversion calculation was performed to calculate pounds. The mass conversion for liquids uses the chemical's specific gravity. In order to convert the paint containers to pounds, a specific gravity for paint had to be determined. A review of numerous material safety data sheets for paint shows a specific gravity range between 1.2 and 1.4. To be conservative, a specific gravity of 1.4 was used for all paints.

Analysis:

For this analysis, the 2022 and 2023 chemical containers were queried for purchases containing paint-related terms (enamel, prime, paint, gloss, stain, etc.) and for purchases from a list of paint manufacturers. This list was then reviewed to remove containers used in Trivial Activities (TA), including maintenance activities based on NMED's List of Trivial Activities from 1996 and the exemptions under 20 NMAC 2.72.202.A(1).

LANL uses a tiered approach for estimating VOC content from chemical use for paint activities. For the initial analysis, the following conservative assumptions are made: all paint containers purchased in the year are used in that year and 100% of the paint is VOC. If needed, a more refined analysis can be performed that accounts for actual paint usage and evaluates material safety data sheets for high usage paints to determine the actual VOC content of each paint.

Summary:

Using the approach described above, the VOC content from facility-wide painting activities is 1837.5 lbs (0.92 tons) for 2022 and 2,209.6 lbs (1.10 tons) for 2023. For both 2022 and 2023, the facility-wide total VOC content of all painting activities is less than two tons per year. Therefore, LANL meets the requirement of 202.B.6 (b) to qualify for an exemption.

LANL Facility-Wide Paint Analysis - 2022

CHEMICAL_NAME	MANUFACTURER_NAME	CONT_ADD_DATE	SumOfCalculation (lb)
CONATHANE® EN-4 Part A Urethane Prepolymer	Honeywell Federal Manufacturing & Technologies	24-Jan-22	233.67
770736 GRAY PRIMER	UNITED GILSONITE LABORATORIES	29-Nov-22	221.9865
VULKEM 116 WHITE	TREMCO INC.	16-May-22	82.962
CONATHANE® EN-4 Part A Urethane Prepolymer	Honeywell Federal Manufacturing & Technologies	01-Nov-22	70.101
MARKING PAINT	GPM PAINTS	29-Nov-22	58.4175
CONATHANE® EN-4 Part A Urethane Prepolymer	Honeywell Federal Manufacturing & Technologies	24-Jan-22	58.4175
InstaCote CC Fix Vinyl Latex/modified Poly Acrylate Coating	INSTACOTE INC	08-Dec-22	58.4175
EverPrime	Waterless Co. Inc.	23-Aug-22	58.4175
Avalon Premium 100% Acrylic Interior Flat W/B	Diamond Vogel	09-Mar-22	55.4958
SAFETY YELLOW PAINT	DUNN-EDWARDS PAINTS	29-Nov-22	46.734
PAINT THINNER	PPG AMERCOAT	03-Nov-22	46.734
EPOXY RESIN	HONEYWELL INC.	05-Jul-22	43.8135
EPOXY RESIN	Honeywell Federal Manufacturing & Technologies	25-Jan-22	43.8135
TREE MARKING PAINT	AERVOE	27-Jun-22	38.3355
STRONTIUM CARBONATE	Spectrum Group	29-Nov-22	37.0376
CONATHANE EN-7 PART B CURATIVE	Honeywell Federal Manufacturing & Technologies	24-Jan-22	29.2088
CONATHANE EN-7 PART B CURATIVE	Honeywell Federal Manufacturing & Technologies	01-Nov-22	18.5184
Epoxy Adhesive DP420 Off-White	MCMaster CARR	29-Sep-22	14.191
Glacial Acetic Acid USP	SPECTRUM CHEMICAL MFG. CORP	17-May-22	12.9755
WATER HPLC GRADE	SPECTRUM CHEMICAL MFG. CORP	08-Jun-22	12.3458
WATER HPLC GRADE	SPECTRUM CHEMICAL MFG. CORP	08-Jun-22	12.3458
FullCure RGD837 - VeroPureWhite	STRATASYS INC.	25-Mar-22	12.3458
FullCure RGD837 - VeroPureWhite	STRATASYS INC.	08-Jun-22	12.3458
FullCure RGD837 - VeroPureWhite	STRATASYS INC.	08-Jun-22	12.3458
FullCure RGD837 - VeroPureWhite	STRATASYS INC.	04-Oct-22	12.3458
FullCure RGD837 - VeroPureWhite	STRATASYS INC.	01-Nov-22	12.3458
FullCure RGD837 - VeroPureWhite	STRATASYS INC.	01-Nov-22	12.3458
FullCure RGD837 - VeroPureWhite	STRATASYS INC.	01-Nov-22	12.3458
RUST-OLEUM EPOXY 9100 ACTIVATOR	Rust-Oleum	05-Oct-22	11.6835
PAINT THINNER	PPG AMERCOAT	03-Nov-22	11.6835
SAFETY YELLOW PAINT	DUNN-EDWARDS PAINTS	29-Nov-22	11.6835
P-100 Primer	LYONS MANUFACTURING INC.	12-Oct-22	11.6835
3M Scotchcast Electrical Resin 8N Kit (Part B)	Honeywell Federal Manufacturing & Technologies	17-Nov-22	11.6835
MARKING PAINT	GPM PAINTS	29-Nov-22	11.6835
3M Scotchcast Electrical Resin 8N Kit (Part A)	Honeywell Federal Manufacturing & Technologies	17-Nov-22	11.6835
ACCOLADE EXTERIOR LATEX EGGHELL NEUTRAL BASE	GRAINGER	16-Feb-22	11.6835
EverPrime	Waterless Co. Inc.	23-Aug-22	11.6835

LANL Facility-Wide Paint Analysis - 2022

CHEMICAL_NAME	MANUFACTURER_NAME	CONT_ADD_DATE	SumOfCalculation (lb)
JONES-BLAIR WHITE PAINT	BEHR-MANN	26-Jan-22	11.6835
JONES-BLAIR WHITE PAINT	BEHR-MANN	26-Jan-22	11.6835
770736 GRAY PRIMER	UNITED GILSONITE LABORATORIES	29-Nov-22	11.6835
YELLOW OIL BASE PAINT	RUST OLEUM	26-Jan-22	11.6835
CONATHANE® EN-4 Part A Urethane Prepolymer	Honeywell Federal Manufacturing & Technologies	01-Nov-22	11.6835
P-100 Primer	LYONS MANUFACTURING INC.	12-Oct-22	11.6835
FullCure RGD837 - VeroPureWhite	STRATASYS INC.	08-Jun-22	11.1112
VERO YELLOW RGD836	STRATASYS INC.	04-Oct-22	11.1112
FullCure RGD837 - VeroPureWhite	STRATASYS INC.	08-Jun-22	11.1112
FullCure RGD837 - VeroPureWhite	STRATASYS INC.	04-Oct-22	11.1112
WHITE LIGHTNING SILICONE ULTRA ALL PURPOSE	WHITE LIGHTNING	11-Jul-22	10.0397
EPOXY RESIN	HONEYWELL INC.	05-Jul-22	8.7627
EPOXY RESIN	Honeywell Federal Manufacturing & Technologies	25-Jan-22	8.7627
WHITE INVERTED MARKING PA	RUST OLEUM	16-Aug-22	7.758
CONATHANE EN-7 PART B CURATIVE	Honeywell Federal Manufacturing & Technologies	24-Jan-22	7.3022
DIETHANOLAMINE	Honeywell Federal Manufacturing & Technologies	08-Aug-22	6.7593
DIETHANOLAMINE	Honeywell Federal Manufacturing & Technologies	14-Apr-22	6.7593
DIETHANOLAMINE	Honeywell Federal Manufacturing & Technologies	08-Aug-22	6.7593
White Resin	FORMLABS INC	19-Dec-22	6.1728
HYDRANAL-Coulomat AK	HONEYWELL BURDICK JACKSON	08-Sep-22	6.1728
Painter's Touch 2X Ultra Cover Spray Paint	Rust-Oleum Corporation	27-Jun-22	5.4765
OSHA RED URETHANE ALKYD ENAMEL	KRYLON	12-May-22	5.4765
1250 White Ink	Stuart Stamp & Engraving	13-Jun-22	4.3812
SPRAY PAINT WHITE	MSC INDUSTRIAL SUPPLY COMPANY	23-Mar-22	4.3812
Black 3.0 Acrylic Paint	ANDWIN SCIENTIFIC	02-Feb-22	3.5154
DIETHANOLAMINE	Honeywell Federal Manufacturing & Technologies	20-Sep-22	3.3796
DIETHANOLAMINE	Honeywell Federal Manufacturing & Technologies	05-Jul-22	3.3796
DIETHANOLAMINE	Honeywell Federal Manufacturing & Technologies	22-Mar-22	3.3796
DIETHANOLAMINE	Honeywell Federal Manufacturing & Technologies	22-Mar-22	3.3796
FLAT BLACK SPRAY PAINT	Rust-Oleum Corporation	04-Apr-22	3.2859
UNITCLEAN	STRUERS INCORPORATED	19-Dec-22	3.0864
AP-D Powder 3UM	STRUERS INCORPORATED	11-Mar-22	3.0864
Conductivity Standard 2 765 umho/cm	SPECTRUM CHEMICAL MFG. CORP	11-Mar-22	3.0864
Water ultrapure HPLC Grade	HONEYWELL INC.	06-Dec-22	3.0864
CONATHANE EN-7 PART B CURATIVE	Honeywell Federal Manufacturing & Technologies	01-Nov-22	3.0864
WHITE MINERAL OIL	SIGMA-ALDRICH CHEMICAL COMPANY	14-Mar-22	3.0864
AP-D Powder 3UM	STRUERS INCORPORATED	11-Mar-22	3.0864
DIETHANOLAMINE (305)	Honeywell Federal Manufacturing & Technologies	05-Jan-22	3.0864

LANL Facility-Wide Paint Analysis - 2022

CHEMICAL_NAME	MANUFACTURER_NAME	CONT_ADD_DATE	SumOfCalculation (lb)
White Resin	FORMLABS INC	19-Dec-22	3.0864
GELCODE BLUE SAFE PROTEIN STAIN	LIFE TECH	20-May-22	3.0864
GELCODE BLUE SAFE PROTEIN STAIN	LIFE TECH	20-May-22	3.0864
ARATHANE 5750-A/B	KRAYDEN	18-Oct-22	2.9209
ARATHANE 5750-A/B	Specialty Polymers Inc.	27-Jul-22	2.9209
ARATHANE 5753-A/B	SPECIALTY POLYMERS AND SERVICES	26-Jul-22	2.9209
ULTRALANE THINNER	KRAYDEN	05-Dec-22	2.9209
Type E Paint	ZYP Coatings Inc.	30-Sep-22	2.9209
ULTRALANE THINNER	KRAYDEN	15-Aug-22	2.9209
ULTRALANE THINNER	KRAYDEN	29-Sep-22	2.9209
ULTRALANE THINNER	KRAYDEN	05-Dec-22	2.9209
ARATHANE 5750-A/B	KRAYDEN	24-Mar-22	2.9209
HERCULES PURPLE PVC PRIMER	HERCULES CHEMICAL COMPANY INC.	27-May-22	2.9208
EPOXY RESIN	Honeywell Federal Manufacturing & Technologies	16-Nov-22	2.9208
PVC PRIMER PURPLE	RECTORSEAL CORP	26-Jan-22	2.9208
Krylon Contractor Marking Paint 7316 APWA White	KRYLON	08-Sep-22	2.7382
ARATHANE 5750B	HUNTSMAN	04-Jan-22	2.4074
KRYLON COLORmaxx Gloss True Blue	KRYLON	27-Jun-22	2.1906
RUST COAT ENAMEL	DO IT BEST	13-Jun-22	2.1906
KRYLON COLORmaxx Gloss True Blue	KRYLON	27-Jun-22	2.1906
alex painter's acrylic latex caulk	DAP INC.	09-Dec-22	1.8436
Hercules Plumber's Caulk White	HERCULES CHEMICAL COMPANY INC.	04-Apr-22	1.6428
(18A1) STRIPING PAINT AEROSOL	RUSTOLEUM	18-Oct-22	1.5516
(18A1) STRIPING PAINT AEROSOL	RUSTOLEUM	18-Oct-22	1.5516
WHITE INVERTED MARKING PA	RUST OLEUM	16-Aug-22	1.5516
Hydranal - Coulomat A	HONEYWELL BURDICK JACKSON	21-Apr-22	1.5432
GELCODE BLUE STAIN REAGENT	FISHER SCIENTIFIC COMPANY LLC	25-Mar-22	1.5432
GELCODE BLUE STAIN REAGENT	FISHER SCIENTIFIC COMPANY LLC	25-Mar-22	1.5432
GELCODE BLUE STAIN REAGENT	LIFE TECH	31-May-22	1.5432
BRIJ 78	Spectrum Group	30-Nov-22	1.5432
GELCODE BLUE STAIN REAGENT	FISHER SCIENTIFIC COMPANY LLC	21-Mar-22	1.5432
Hydranal - Coulomat A	HONEYWELL BURDICK JACKSON	21-Apr-22	1.5432
HYDRANAL-Coulomat AK	HONEYWELL BURDICK JACKSON	08-Sep-22	1.5432
ODORLESS PAINT THINNER	Dick Blick Art Materials	15-Apr-22	1.4604
SPRAY PAINT WHITE	MSC INDUSTRIAL SUPPLY COMPANY	23-Mar-22	1.4604
GLOSS-OIL VARNISH	Dick Blick Art Materials	15-Apr-22	1.4604
EPOXY RESIN	Honeywell Federal Manufacturing & Technologies	16-Nov-22	1.4604
196 White Stamp Pad Ink	United RIBtype	13-Jun-22	1.4604
Krylon Contractor Marking Paint 7316 APWA White	KRYLON	08-Sep-22	1.3691
LUBRIMATIC WHITE LITHIUM GREASE (11350 - 11354 - 11355 - 11356 - 11357 - 11358 - 11359 - 11360 - 11395 - 11484 - 11487)	LUBRIMATIC	22-Apr-22	1.3235
LUBRIMATIC WHITE LITHIUM GREASE (11350 - 11354 - 11355 - 11356 - 11357 - 11358 - 11359 - 11360 - 11395 - 11484 - 11487)	LUBRIMATIC	22-Apr-22	1.3235

LANL Facility-Wide Paint Analysis - 2022

CHEMICAL_NAME	MANUFACTURER_NAME	CONT_ADD_DATE	SumOfCalculation (lb)
Yttrium(III) oxide Aerosol Refractory Paint	Thermo Fisher Scientific	24-Feb-22	1.1865
DECORATIVE ENAMEL SPRAY PAINT	GPM PAINTS	12-Sep-22	1.0953
DECORATIVE ENAMEL SPRAY PAINT	GPM PAINTS	12-Sep-22	1.0953
FLAT BLACK SPRAY PAINT	Rust-Oleum Corporation	04-Apr-22	1.0953
Painter's Touch 2X Ultra Cover Spray Paint	Rust-Oleum Corporation	27-Jun-22	1.0953
TREE MARKING PAINT	AERVOE	27-Jun-22	1.0953
SPRAY PAINT GRAY	HOFFMAN	03-May-22	1.0953
Rust-Oleum 2X Ultra Cover Primer Spray - White	Rust-Oleum	23-Nov-22	1.0953
RUST COAT ENAMEL - FLAT BLACK	ROC SALES INC.	29-Nov-22	1.0953
RUST COAT ENAMEL - FLAT BLACK	ROC SALES INC.	29-Nov-22	1.0953
PVC PURPLE PRIMER/CLEANER	DO IT BEST	05-Jan-22	1.0953
PURPLE PRIMER	RECTORSEAL CORP	24-Jan-22	1.0953
OSHA SAFETY COLORS	KRYLON	27-Jun-22	1.0953
OSHA RED URETHANE ALKYD ENAMEL	KRYLON	12-May-22	1.0953
ALL PURPOSE SPRAY PAINT WHITE	GPM PAINTS	03-Mar-22	1.0953
ALL PURPOSE SPRAY PAINT WHITE	GPM PAINTS	03-Mar-22	1.0953
ALL PURPOSE SPRAY PAINT WHITE	GPM PAINTS	03-Mar-22	1.0953
KRYLON GRAY PRIMER	Amazon.com	26-Aug-22	1.0953
KRYLON COLORmaxx Gloss Black	Amazon.com	26-Aug-22	1.0953
ALL PURPOSE SPRAY PAINT WHITE	RUSTOLEUM	03-Mar-22	1.0953
KRYLON COLORmaxx Gloss True Blue	KRYLON	27-Jun-22	1.0953
KRYLON COLORmaxx Gloss True Blue	KRYLON	27-Jun-22	1.0953
ALL PURPOSE SPRAY PAINT WHITE	KRYLON	03-Mar-22	1.0953
FLAT WHITE SPEED ENAMEL	KRYLON PRODUCTS GROUP	07-Feb-22	1.0493
KRYLON	KRYLON PRODUCTS GROUP	07-Feb-22	1.0493
ALL PURPOSE SPRAY PAINT WHITE	RUSTOLEUM	03-Mar-22	1.004
ALL PURPOSE SPRAY PAINT WHITE	RUSTOLEUM	03-Mar-22	1.004
VULKEM 116 WHITE	TREMCO INC.	16-May-22	0.9218
White Lithium Grease (aerosol)	ANDWIN SCIENTIFIC	11-Aug-22	0.9127
WHITE LIGHTNING SILICONE ULTRA ALL PURPOSE	WHITE LIGHTNING	11-Jul-22	0.9127
White Lithium Grease (aerosol)	ANDWIN SCIENTIFIC	11-Aug-22	0.9127
BRITE TOUCH General Purpose Spray Paint Gloss Black	SHERWIN WILLIAMS INC.	09-Jun-22	0.9127
iCAP Q Calibration Solution	SPECTRUM CHEMICAL MFG. CORP	23-Jun-22	0.7716
Expo White Board Cleaner	SANFORD CORPORATION	14-Feb-22	0.7302
Lucas White Lithium Grease NLGI #2	LUCAS OIL PRODUCTS INC.	23-Aug-22	0.7302
Lucas White Lithium Grease NLGI #2	LUCAS OIL PRODUCTS INC.	19-Jan-22	0.7302
1250 White Ink	Stuart Stamp & Engraving	13-Jun-22	0.7302

LANL Facility-Wide Paint Analysis - 2022

CHEMICAL_NAME	MANUFACTURER_NAME	CONT_ADD_DATE	SumOfCalculation (lb)
WHITE BOARD CLEANER	GENUINE	03-May-22	0.7302
LOCTITE ECCOBOND F 112-H (TRACON Blue Dye Epoxy)	FIBER INSTRUMENT SALES	20-Jan-22	0.7007
LOCTITE ECCOBOND F 112-H (TRACON Blue Dye Epoxy)	FIBER INSTRUMENT SALES	20-Jan-22	0.693
HYDRANAL COULOMAT CG-K	HONEYWELL BURDICK JACKSON	08-Sep-22	0.624
Epoxy Adhesive DP420 Off-White	MCMASTER CARR	29-Sep-22	0.617
Hercules Plumber's Caulk White	HERCULES CHEMICAL COMPANY INC.	04-Apr-22	0.5476
LOCTITE ECCOBOND F 112-H (TRACON Blue Dye Epoxy)	FIBER INSTRUMENT SALES	20-Jan-22	0.5236
ARATHANE 5750A	HUNTSMAN	04-Jan-22	0.4321
Dichlorofluorescein Indicator 0.1 Percent Solution in Ethanol	SPECTRUM CHEMICAL MFG. CORP	27-Apr-22	0.3858
White Lightning Clean Ride	Hacienda Home Center	28-Feb-22	0.3651
White Lightning Clean Ride	Hacienda Home Center	28-Feb-22	0.3651
196 White Stamp Pad Ink	United RIBtype	13-Jun-22	0.3651
PVC PURPLE PRIMER/CLEANER	DO IT BEST	05-Jan-22	0.3651
Silc Pig Electric Yellow	Reynolds Advanced Materials	24-May-22	0.3651
Oatey Purple Primer	OATEY	03-Mar-22	0.3651
Testors Craft Acrylic Paints - Matte White	RUSTOLEUM	12-Sep-22	0.365
141 OWY Inks (white stamp pad ink)	International Imaging Materials Inc.	22-Jul-22	0.365
TRYPAN BLUE STAIN (0.4%)	SIGMA CHEMICAL COMPANY	23-Mar-22	0.3086
MES (Fine White Crystals)	FISHER SCIENTIFIC COMPANY LLC	06-Sep-22	0.3086
HYDROXYETHYL CELLULOSE	SPECTRUM CHEMICAL MFG. CORP	19-Jul-22	0.3086
Loctite Lubricant LB 8042 White Lithium Grease	MCMASTER CARR	03-May-22	0.2738
Testors Craft Acrylic Paints - Metallic Black	RUSTOLEUM	12-Sep-22	0.1825
Testors Craft Acrylic Paints - Metallic Black	RUSTOLEUM	12-Sep-22	0.1825
141 OWY Inks (white stamp pad ink)	International Imaging Materials Inc.	22-Jul-22	0.1825
141 OWY Inks (white stamp pad ink)	Shachihata Inc.	29-Mar-22	0.1825
HYDRANAL COULOMAT CG-K	HONEYWELL BURDICK JACKSON	08-Sep-22	0.156
Alizarin Red Staining Solution	SIGMA-ALDRICH CHEMICAL COMPANY	20-Dec-22	0.1543
HYDRANAL COULOMAT CG	HONEYWELL BURDICK JACKSON	11-May-22	0.1543
HYDRANAL COULOMAT CG	HONEYWELL BURDICK JACKSON	20-Jan-22	0.1543
Loctite Lubricant LB 8042 White Lithium Grease	MCMASTER CARR	03-May-22	0.1369
SILVER PASTE PLUS	SPI SUPPLIES DIV. OF STRUCTURE PROBE INC.	22-Mar-22	0.0925
Carbon Paint	TED PELLA	17-Jan-22	0.0925
SILVER PAINT THINNER	SPI SUPPLIES DIV. OF STRUCTURE PROBE INC.	08-Jul-22	0.0925
FAST DRYING SILVER PAINT	TED PELLA	21-Jan-22	0.0925
Saint Acrylic Paint	ANDWIN SCIENTIFIC	17-Feb-22	0.0925
Carbon Paint	TED PELLA	17-Jan-22	0.0925
1250 White Ink	Stuart Stamp & Engraving	20-Oct-22	0.0912
Loctite Threadlocker 271	Honeywell Federal Manufacturing & Technologies	01-Dec-22	0.0912
Silicotungstic Acid Reagent	SPECTRUM CHEMICAL MFG. CORP	17-Feb-22	0.0771

LANL Facility-Wide Paint Analysis - 2022

CHEMICAL_NAME	MANUFACTURER_NAME	CONT_ADD_DATE	SumOfCalculation (lb)
SILVER PAINT	SPI SUPPLIES DIV. OF STRUCTURE PROBE INC.	08-Jul-22	0.0478
Mirror Chrome Paint	ANDWIN SCIENTIFIC	02-Feb-22	0.0462
LATEX MICROSPHERE SUSPENSION	THERMO SCIENTIFIC	14-Apr-22	0.0462
ERYTHROMYCIN	SPECTRUM CHEMICAL MFG. CORP	27-Jun-22	0.0308
KRYLON SHORT CUTS Hobby/Craft Paint Pen White	KRYLON	07-Sep-22	0.0301
KRYLON SHORT CUTS Hobby/Craft Paint Pen White	KRYLON	07-Sep-22	0.0301
KRYLON SHORT CUTS Hobby/Craft Paint Pen White	KRYLON	07-Sep-22	0.0301
LOCTITE ECCOBOND F 112-H (TRACON Blue Dye Epoxy)	FIBER INSTRUMENT SALES	20-Jan-22	0.0077
Lutetium(III) trifluoromethanesulfonate min. 98% (Lutetium triflate)	STREM CHEMICALS INC.	18-Aug-22	0.0061
Biotium GELRED STAIN	FISHER SCIENTIFIC COMPANY LLC	04-Apr-22	0.006
LYSOZYME FROM CHICKEN EGG WHITE	SIGMA-ALDRICH CHEMICAL COMPANY	18-Apr-22	0.003
AP-D Powder 1UM	STRUERS INCORPORATED	11-Mar-22	0.003
AP-D Powder 1UM	STRUERS INCORPORATED	11-Mar-22	0.003
Aflatoxin Mix Kit	SIGMA-ALDRICH CHEMICAL COMPANY	18-May-22	0.003
Biotium GELRED STAIN	FISHER SCIENTIFIC COMPANY LLC	04-Apr-22	0.0015
SYTO 9 green fluorescent nucleic acid stain	LIFE TECH	23-Mar-22	0.0003
SYTO 9 green fluorescent nucleic acid stain	LIFE TECH	08-Jun-22	0.0003
SYTO 9 green fluorescent nucleic acid stain	LIFE TECH	08-Jun-22	0.0003
ALL PURPOSE SPRAY PAINT WHITE	RUSTOLEUM	03-Mar-22	0
ALL PURPOSE SPRAY PAINT WHITE	RUSTOLEUM	03-Mar-22	0
SPRAY PAINT PINK	BOSS	03-May-22	0

Total **1837.5 lb**
0.92 tons

LANL Facility-Wide Paint Analysis - 2023

CHEMICAL_NAME	MANUFACTURER_NAME	CONT_ADD_DATE	SumOfCalculation (lb)
MAINTENANCE PRIMER/FINISH	RUST OLEUM	19-Oct-23	233.67
Vantage Plus Interior Latex Eggshell Neutral Base	Diamond Vogel	18-Jul-23	175.2525
PSX 700 WHITE RESIN	PPG INDUSTRIES INC	06-Apr-23	102.8149
Quick Dry Stain Blocking Primer (Interior/Exterior Latex) White	SHERWIN WILLIAMS INC.	30-Oct-23	93.468
PSX 700 WHITE RESIN	PPG INDUSTRIES INC	21-Dec-23	58.4175
Vantage Plus Interior Latex Eggshell Neutral Base	Diamond Vogel	18-Jul-23	58.4175
CONATHANE® EN-4 Part A Urethane Prepolymer	Honeywell Federal Manufacturing & Technologies	06-Mar-23	58.4175
ABS-M30 White	R&D Technologies	26-Apr-23	56
ABS-M30 Yellow	R&D Technologies	26-Apr-23	56
ANCAMINE K54 Curing Agent	Honeywell Federal Manufacturing & Technologies	27-Nov-23	55.5564
Cote All 340 J.D. (Safety) Yellow	Diamond Vogel	10-Jul-23	46.734
PSX 700 WHITE RESIN	PPG	17-Apr-23	46.734
PSX 700 WHITE RESIN	PPG	17-Apr-23	46.734
CONATHANE EN-4 PART A URETHANE PREPOLYMER	Honeywell Federal Manufacturing & Technologies	23-Oct-23	46.734
DIETHANOLAMINE (305)	Honeywell Federal Manufacturing & Technologies	29-Mar-23	43.2096
WHITE STRIPING PAINT	Rust-Oleum Corporation	17-Oct-23	37.7867
MAINTENANCE PRIMER/FINISH	RUSTOLEUM	19-Oct-23	35.0505
MINERAL OIL WHITE HEAVY OR LIGHT (PARAFFIN OIL)	SIGMA-ALDRICH CHEMICAL COMPANY	19-Jun-23	29.3214
VULKEM 116 WHITE	TREMCO INC.	24-May-23	27.654
PSX 700 WHITE RESIN	PPG	09-Jan-23	23.367
FullCure RGD837 - VeroPureWhite	STRATASYS INC.	23-Oct-23	22.2224
Rely-On Latex Caulk - White	DAP INC.	24-Jan-23	20.2796
DOW CORNING 732 MULTI-PURPOSE SEALANT WHITE	ELLSWORTH ADHESIVES	14-Jul-23	19.305
Rely-On Latex Caulk - White	DAP INC.	24-Jan-23	18.436
YELLOW STRIPING PAINT	Rust-Oleum Corporation	17-Oct-23	18.0719
MARKING PAINT FLUORESCENT PINK	KRYLON	05-Sep-23	17.0676
GREEN INVERTED MARKING PAINT	RUST OLEUM	18-Jul-23	17.0676
INVERTED MARKING PAINT ORANGE	Rust-Oleum	18-Jul-23	17.0676
WHITE TRAFFIC MARKING PAINT	RUST OLEUM	18-Jul-23	17.0676
Krylon Industrial QUIK-MARK Water-Based Inverted Marking Paint Chalk-line Clear	KRYLON	31-Oct-23	15.0601
CONATHANE EN-7 PART B CURATIVE	Honeywell Federal Manufacturing & Technologies	06-Mar-23	14.6045
PVC PURPLE PRIMER	HERCULES CHEMICAL COMPANY INC.	04-Apr-23	14.6045
ABS-M30 White	R&D Technologies	26-Apr-23	14
ABS-M30 Yellow	R&D Technologies	26-Apr-23	14
Pan-Spray (White)	NU-CALGON	01-Aug-23	13.1436
VeroYellowV RGD838	STRATASYS INC.	25-Jan-23	12.3458
FullCure RGD837 - VeroPureWhite	STRATASYS INC.	23-Oct-23	12.3458
FullCure RGD837 - VeroPureWhite	STRATASYS INC.	25-Jan-23	12.3458
Quick Dry Stain Blocking Primer (Interior/Exterior Latex) White	SHERWIN WILLIAMS INC.	30-Oct-23	11.6835

LANL Facility-Wide Paint Analysis - 2023

CHEMICAL_NAME	MANUFACTURER_NAME	CONT_ADD_DATE	SumOfCalculation (lb)
Quick Dry Stain Blocking Primer (Interior/Exterior Latex) White	SHERWIN WILLIAMS INC.	30-Oct-23	11.6835
MAINTENANCE PRIMER/FINISH	RUSTOLEUM	19-Oct-23	11.6835
PSX 700 WHITE RESIN	PPG	09-Jan-23	11.6835
MAINTENANCE PRIMER/FINISH	RUST OLEUM	19-Oct-23	11.6835
MAINTENANCE PRIMER/FINISH	RUST OLEUM	19-Oct-23	11.6835
DTM ACRYLIC GLOSS COATING	RUSTOLEUM	19-Oct-23	11.6835
CONATHANE EN-4 PART A URETHANE PREPOLYMER	Honeywell Federal Manufacturing & Technologies	23-Oct-23	11.6835
CONATHANE® EN-4 Part A Urethane Prepolymer	Honeywell Federal Manufacturing & Technologies	06-Mar-23	11.6835
W/B EPOXY FLOOR ENAMEL GREY	PPG	04-Jan-23	11.6835
141 Black Ink	HONEYWELL CONSUMER	07-Mar-23	11.6835
FAST DRY ENAMEL	FUJI PHOTO FILM	23-Aug-23	11.6835
141 Black Ink	HONEYWELL CONSUMER	07-Mar-23	11.6835
W/B EPOXY FLOOR ENAMEL GREY	PPG	04-Jan-23	11.6835
RLM-460 Mask Latex	SILPAK IN	08-Aug-23	11.2
CONATHANE EN-4 PART A URETHANE PREPOLYMER	HONEYWELL INC.	28-Sep-23	11.2
VERO YELLOW RGD836	STRATASYS INC.	23-Oct-23	11.1112
FullCure RGD837 - VeroPureWhite	STRATASYS INC.	23-Oct-23	11.1112
FullCure RGD837 - VeroPureWhite	STRATASYS INC.	03-Aug-23	11.1112
GELCODE BLUE STAIN REAGEN	FISHER SCIENTIFIC COMPANY LLC	21-Dec-23	10.8026
DIAPRO DAC	STRUERS	02-Nov-23	10.8024
CONATHANE EN-7 PART B CURATIVE	Honeywell Federal Manufacturing & Technologies	23-Oct-23	9.52
PSX 700 WHITE RESIN	PPG INDUSTRIES INC	06-Apr-23	9.3468
PSX 700 WHITE RESIN	PPG	06-Apr-23	9.3468
PSX 700 WHITE RESIN	PPG	06-Apr-23	9.3468
PSX 700 WHITE RESIN	PPG Industries INC.	28-Nov-23	9.3468
White Resin	FORMLABS INC	07-Sep-23	9.2592
AP-D Powder 1UM	STRUERS INCORPORATED	02-Oct-23	9.2592
EPOXY RESIN	Honeywell Federal Manufacturing & Technologies	19-Jul-23	8.7624
Dimethyl sulfoxide ACS Reagent 99.9%	HONEYWELL BURDICK JACKSON	30-Mar-23	8.4955
HYDRANAL-COULOMAT AK	HONEYWELL INC.	10-Aug-23	7.716
KRYLON Industrial QUIK-MARK Water-Based Inverted Marking Chalk APWA White	KRYLON	07-Feb-23	6.8455
DIETHANOLAMINE	Honeywell Federal Manufacturing & Technologies	01-Nov-23	6.7592
PURPLE PRIMER	HERCULES CHEMICAL COMPANY INC.	19-Sep-23	5.8418
WILETHANE 44 PART B	Honeywell Federal Manufacturing & Technologies	22-Nov-23	5.8418
EPOXY RESIN	Honeywell Federal Manufacturing & Technologies	01-Feb-23	5.8416
Painter's Touch 2X Ultra Cover Spray Paint	RUST OLEUM	07-Feb-23	5.4765
DIETHANOLAMINE	Honeywell Federal Manufacturing & Technologies	30-May-23	3.3796
DIETHANOLAMINE	Honeywell Federal Manufacturing & Technologies	30-May-23	3.3796
DIETHANOLAMINE	Honeywell Federal Manufacturing & Technologies	01-Nov-23	3.3796
HYDRANAL COULOMAT AG-H	HONEYWELL BURDICK JACKSON	09-Aug-23	3.0864

LANL Facility-Wide Paint Analysis - 2023

CHEMICAL_NAME	MANUFACTURER_NAME	CONT_ADD_DATE	SumOfCalculation (lb)
AP-D Powder 1UM	STRUERS INCORPORATED	02-Oct-23	3.0864
White Resin	FORMLABS INC	07-Sep-23	3.0864
DIETHANOLAMINE (305)	Honeywell Federal Manufacturing & Technologies	29-Mar-23	3.0864
Arathane 5750 - A/B (LV) Kit	SPECIALTY POLYMERS AND SERVICES	13-Oct-23	2.9209
ARATHANE 5750-A/B	SPECIALTY POLYMERS AND SERVICES	28-Mar-23	2.9209
Asilamine 170	Honeywell Federal Manufacturing & Technologies	22-Nov-23	2.9209
ARATHANE 5750-A/B	SPECIALTY POLYMERS AND SERVICES	28-Mar-23	2.9209
CONATHANE EN-7 PART B CURATIVE	Honeywell Federal Manufacturing & Technologies	06-Mar-23	2.9209
ARATHANE 5750-A/B	SPECIALTY POLYMERS AND SERVICES	17-Mar-23	2.9209
WILETHANE 44 PART B	Honeywell Federal Manufacturing & Technologies	22-Nov-23	2.9209
Arathane 5750 - A/B (LV) Kit	KRAYDEN	24-Aug-23	2.9209
Arathane 5750 - A/B (LV) Kit	Specialty Polymers Inc.	31-Mar-23	2.9209
WILETHANE 44 PART A	Honeywell Federal Manufacturing & Technologies	22-Nov-23	2.9209
Arathane 5750 - A/B (LV) Kit	Specialty Polymers Inc.	31-Mar-23	2.9209
AQUA SATIN STAINLESS STEEL CLEANER	UNISOURCE WORLDWIDE	16-Oct-23	2.9209
ULTRALANE THINNER	KRAYDEN	09-Jan-23	2.9209
WILETHANE 44 PART A	Honeywell Federal Manufacturing & Technologies	22-Nov-23	2.9209
PURPLE PRIMER	HERCULES CHEMICAL COMPANY INC.	19-Sep-23	2.9209
PVC PURPLE PRIMER	HERCULES CHEMICAL COMPANY INC.	04-Apr-23	2.9209
PVC PURPLE PRIMER	Mainline	18-Sep-23	2.9209
ULTRALANE THINNER	KRAYDEN	07-Sep-23	2.9209
ULTRALANE THINNER	KRAYDEN	07-Sep-23	2.9209
ARATHANE 5750-A/B	SPECIALTY POLYMERS AND SERVICES	05-Apr-23	2.9209
ULTRALANE THINNER	SPECIALTY POLYMERS AND SERVICES	09-Jan-23	2.9209
Asilamine 170	Honeywell Federal Manufacturing & Technologies	22-Nov-23	2.9209
ON GUARD Base Detecting Paint - Latex	RAMCO MANUFACTURING	12-Dec-23	2.9208
On Guard Acid Detecting Paint	RAMCO MANUFACTURING	12-Dec-23	2.9208
PVC PURPLE PRIMER	DO IT BEST	28-Apr-23	2.9208
PVC PURPLE PRIMER	DO IT BEST	28-Apr-23	2.9208
ARATHANE 5750-A/B	Specialty Polymers Inc.	16-Nov-23	2.8395
Rely-On Latex Caulk - White	DAP INC.	24-Jan-23	2.7654
ARATHANE 5750-A/B	KRAYDEN	09-Jan-23	2.5926
2-Butanol Puriss. p.a. Reag. Ph. Eur. 99.5+%	HONEYWELL BURDICK JACKSON	15-May-23	2.5
CONATHANE EN-7 PART B CURATIVE	Honeywell Federal Manufacturing & Technologies	26-Jul-23	2.38
CONATHANE EN-7 PART B CURATIVE	Honeywell Federal Manufacturing & Technologies	23-Oct-23	2.38
CONATHANE EN-7 PART B CURATIVE	HONEYWELL INC.	29-Sep-23	2.38
CONATHANE EN-7 PART B CURATIVE	Honeywell Federal Manufacturing & Technologies	26-Jul-23	2.38
Diethyl ether 99% ACS Reagent anhydrous	HONEYWELL BURDICK JACKSON	23-Aug-23	2.2037
Rust-Oleum Painter's Touch 2X Ultra Cover Flat Spray - Black	Hacienda Home Center	09-Aug-23	2.1906
GRAY ANSI61 TOUCH UP PAINT	HOFFMAN	09-May-23	2.1906

LANL Facility-Wide Paint Analysis - 2023

CHEMICAL_NAME	MANUFACTURER_NAME	CONT_ADD_DATE	SumOfCalculation (lb)
Rust-Oleum 2X Ultra Cover Primer Spray - White	Hacienda Home Center	09-Aug-23	2.1906
ARATHANE 5753-A/B	SPECIALTY POLYMERS AND SERVICES	06-Oct-23	2.1605
Expo White Board Cleaner	EXPO	29-Jun-23	2.008
DOW CORNING 732 MULTI-PURPOSE SEALANT WHITE	ELLSWORTH ADHESIVES	14-Jul-23	1.716
MOLD RELEASE	Honeywell Federal Manufacturing & Technologies	16-Mar-23	1.6794
WHITE STRIPING PAINT	Rust-Oleum Corporation	17-Oct-23	1.6429
YELLOW STRIPING PAINT	Rust-Oleum Corporation	17-Oct-23	1.6429
WHITE INVERTED BASED PAINT	RUST OLEUM	28-Jun-23	1.5516
WHITE TRAFFIC MARKING PAINT	RUST OLEUM	18-Jul-23	1.5516
GREEN INVERTED MARKING PAINT	RUST OLEUM	18-Jul-23	1.5516
MARKING PAINT FLUORESCENT PINK	KRYLON	05-Sep-23	1.5516
YELLOW BUFFER SOLUTION PH 7	FISHER SCIENTIFIC COMPANY LLC	09-Aug-23	1.5432
GELCODE BLUE STAIN REAGENT	Thermo Fisher Scientific	13-Oct-23	1.5432
GELCODE BLUE STAIN REAGENT	LIFE TECH	21-Aug-23	1.5432
GELCODE BLUE STAIN REAGENT	LIFE TECH	01-May-23	1.5432
HYDRANAL COULOMAT AG-H	HONEYWELL BURDICK JACKSON	09-Aug-23	1.5432
DIAPRO DAC	STRUERS	02-Nov-23	1.5432
YELLOW BUFFER SOLUTION PH 7	FISHER SCIENTIFIC COMPANY LLC	09-Aug-23	1.5432
HYDRANAL-COULOMAT AK	HONEYWELL INC.	10-Aug-23	1.5432
YELLOW BUFFER SOLUTION PH 7	YSI	31-Jul-23	1.466
BUFFER SOLUTION PH 7.0 COLOR CODED YELLOW	Onset	16-Mar-23	1.466
YELLOW BUFFER SOLUTION PH 7	YSI	31-Jul-23	1.466
EPOXY RESIN	Honeywell Federal Manufacturing & Technologies	01-Feb-23	1.4604
ALL PURPOSE SPRAY PAINT WHITE	N/A	30-Oct-23	1.4604
WILETHANE 44 PART A	Honeywell Federal Manufacturing & Technologies	22-Nov-23	1.4604
Pan-Spray (White)	NU-CALGON	01-Aug-23	1.4604
VGE-7031 VARNISH	LAKE SHORE CRYOGENICS INC.	03-Apr-23	1.4604
EPOXY RESIN	Honeywell Federal Manufacturing & Technologies	19-Apr-23	1.4604
BLACK PAINT	N/A	30-Oct-23	1.4604
EPOXY RESIN	Honeywell Federal Manufacturing & Technologies	01-Feb-23	1.4604
CONATHANE EN-4 PART A URETHANE PREPOLYMER	Honeywell Federal Manufacturing & Technologies	26-Jul-23	1.4
CONATHANE EN-4 PART A URETHANE PREPOLYMER	Honeywell Federal Manufacturing & Technologies	26-Jul-23	1.4
STAY-SILV WHITE BRAZING FLUX	HARRIS	25-Jan-23	1.4
Krylon Industrial QUIK-MARK Water-Based Inverted Marking Paint Chalk-line Clear	KRYLON	31-Oct-23	1.3691
3M Acryl White Putty	RS HUGHES	12-Dec-23	1.3691
KRYLON Industrial QUIK-MARK Water-Based Inverted Marking Chalk APWA White	KRYLON	07-Feb-23	1.3691
GELCODE BLUE STAIN REAGENT 500ML	LIFE TECH	02-Feb-23	1.2222
GELCODE BLUE STAIN REAGENT 500ML	FISHER SCIENTIFIC COMPANY LLC	17-Jan-23	1.2222
GELCODE BLUE STAIN REAGENT 500ML	FISHER SCIENTIFIC COMPANY LLC	17-Jan-23	1.2222

LANL Facility-Wide Paint Analysis - 2023

CHEMICAL_NAME	MANUFACTURER_NAME	CONT_ADD_DATE	SumOfCalculation (lb)
FINISHING PAINT	FINISHING	27-Oct-23	1.1865
Rust-Oleum Painter's Touch 2X Ultra Cover Flat Spray - Black	Hacienda Home Center	17-Apr-23	1.0953
Rust-Oleum 2X Ultra Cover Primer Spray - White	Hacienda Home Center	09-Aug-23	1.0953
DE 1600 SERIES DUPLI-COLOR ENGINE PAINT	DUPLICOLOR	20-Jun-23	1.0953
DE 1600 SERIES DUPLI-COLOR ENGINE PAINT	DUPLICOLOR	20-Jun-23	1.0953
DE 1600 SERIES DUPLI-COLOR ENGINE PAINT	DUPLICOLOR	20-Jun-23	1.0953
DE 1600 SERIES DUPLI-COLOR ENGINE PAINT	DUPLICOLOR	20-Jun-23	1.0953
DE 1600 SERIES DUPLI-COLOR ENGINE PAINT	DUPLICOLOR	20-Jun-23	1.0953
Painter's Touch 2X Ultra Cover Spray Paint	RUST OLEUM	07-Feb-23	1.0953
GRAY ANS161 TOUCH UP PAINT	HOFFMAN	09-May-23	1.0953
STANDARD GRAY SPRAY ENAMEL	THE WIREMOLD COMPANY	11-May-23	1.0953
Rust-Oleum Painter's Touch 2X Ultra Cover Flat Spray - Black	Hacienda Home Center	17-Apr-23	1.0953
Rust-Oleum Painter's Touch 2X Ultra Cover Flat Spray - Black	Hacienda Home Center	09-Aug-23	1.0953
BLACK PAINT	ACCURATE	25-Apr-23	1.0953
GWE-S WIREMOLD ENAMEL GRAY	N/A	27-Sep-23	1.0953
DE 1600 SERIES DUPLI-COLOR ENGINE PAINT	DUPLICOLOR	20-Jun-23	1.0953
DOW CORNING PR-1200 RTV PRIME COAT PRIMER CLEAR	DOW CORNING CORPORATION	21-Nov-23	0.9568
DOW CORNING PR-1200 RTV PRIME COAT PRIMER CLEAR	DOW CORNING CORPORATION	21-Nov-23	0.9568
ACRYLIC LATEX CAULK PLUS SILICONE	DAP INC	13-Apr-23	0.9218
Rely-On Latex Caulk - White	DAP INC.	24-Jan-23	0.9218
VULKEM 116 WHITE	TREMCO INC.	24-May-23	0.9218
Rely-On Latex Caulk - White	DAP INC.	24-Jan-23	0.9218
Acrylic Latex Caulk White	DAP INC.	01-Jun-23	0.9127
WHITE LITHIUM GREASE	STA-LUBE	11-Sep-23	0.9127
MOLD RELEASE	Honeywell Federal Manufacturing & Technologies	16-Mar-23	0.8397
MOLD RELEASE	Honeywell Federal Manufacturing & Technologies	24-Jan-23	0.8397
Asilamine 170	Honeywell Federal Manufacturing & Technologies	22-Nov-23	0.7716
Asilamine 170	Honeywell Federal Manufacturing & Technologies	22-Nov-23	0.7716
SYTO 60 Red Fluorescent Nucleic Acid Stain - 5 mM Solution in DMSO	FISHER SCIENTIFIC COMPANY LLC	17-Mar-23	0.7716
Lucas White Lithium Grease NLGI #2	LUCAS OIL PRODUCTS INC.	13-Apr-23	0.7302
Hercules Clear Purple and Unpurple Primer	HERCULES CHEMICAL COMPANY INC.	26-Jan-23	0.7302
WILETHANE 44 PART A	Honeywell Federal Manufacturing & Technologies	22-Nov-23	0.7302
JET-LUBE WHITE LITHIUM GREASE	Jet-Lube LLC/Deacon	01-Mar-23	0.7006
DOW CORNING ISONATE 181 MDI PREPOLYMER	Honeywell Federal Manufacturing & Technologies	22-Nov-23	0.4629

LANL Facility-Wide Paint Analysis - 2023

CHEMICAL_NAME	MANUFACTURER_NAME	CONT_ADD_DATE	SumOfCalculation (lb)
WILETHANE 44 PART A	Honeywell Federal Manufacturing & Technologies	22-Nov-23	0.4629
DOW CORNING 732 MULTI-PURPOSE SEALANT WHITE	ELLSWORTH ADHESIVES	14-Jul-23	0.429
EPOFIX KIT	STRUERS INCORPORATED	06-Feb-23	0.4012
GLACIAL ACETIC ACID	SPECTRUM CHEMICAL MFG. CORP	07-Aug-23	0.3243
L-(+)-ARABINOSE	SPECTRUM CHEMICAL MFG. CORP	21-Sep-23	0.3086
WILETHANE 44 PART B	Honeywell Federal Manufacturing & Technologies	22-Nov-23	0.3086
Calcofluor White Stain	SIGMA-ALDRICH CHEMICAL COMPANY	19-Sep-23	0.3086
METANIL YELLOW	SIGMA-ALDRICH CHEMICAL COMPANY	10-Aug-23	0.3086
Loctite Threadlocker 271	Honeywell Federal Manufacturing & Technologies	01-May-23	0.1825
BALL PAINT MARKER	LA-CO	19-Jan-23	0.1825
Epoxy Adhesive DP420 Off-White	RS HUGHES	26-May-23	0.1551
HYDRANAL COULOMAT CG	HONEYWELL BURDICK JACKSON	09-Aug-23	0.1543
HYDRANAL COULOMAT CG	HONEYWELL BURDICK JACKSON	09-Aug-23	0.1543
1250 White Ink	Stuart Stamp & Engraving	28-Sep-23	0.0912
2403 POLYURETHANE VARNISH (GLOSS INT/EXT)	MINWAX	06-Dec-23	0.0912
TRYPAN BLUE STAIN (0.4%)	SIGMA-ALDRICH CHEMICAL COMPANY	14-Jun-23	0.0617
LOCTITE 271	Honeywell Federal Manufacturing & Technologies	17-Aug-23	0.0308
LOCTITE 271	Honeywell Federal Manufacturing & Technologies	17-Aug-23	0.0308
WILETHANE 44 PART A	Honeywell Federal Manufacturing & Technologies	22-Nov-23	0.0308
BacLight Red Bacterial Stain SILVER	LIFE TECH	08-Aug-23	0.0154
TRIFLUOROMETHANESULFONATE (SILVER TRIFLATE)	STREM CHEMICALS INC.	20-Jul-23	0.0154
LATEX PARTICLE SOLUTION	BECKMAN COULTER	22-Dec-23	0.0123
Lysozyme chloride form from chicken egg white	SIGMA-ALDRICH CHEMICAL COMPANY	28-Mar-23	0.003
ACRYLIC ENAMEL	KNAACK MFG. CO	18-Sep-23	0.0023
ACRYLIC ENAMEL	KNAACK MFG. CO	18-Sep-23	0.0014
SYTO Red Fluorescent Nucleic Acid Stain Sampler Kit (dyes 17 and 59-64)	LIFE TECH	13-Jul-23	0.0007
SYTO 17 Red Fluorescent Nucleic Acid Stain	LIFE TECH	13-Jul-23	0.0007
SYTO 9 green fluorescent nucleic acid stain	LIFE TECH	21-Aug-23	0.0006
SYTO 9 green fluorescent nucleic acid stain	LIFE TECH	10-Mar-23	0.0003
SYTO 9 green fluorescent nucleic acid stain	LIFE TECH	10-May-23	0.0003
SYTO 9 green fluorescent nucleic acid stain	LIFE TECH	14-Jun-23	0.0003
SYTO 9 green fluorescent nucleic acid stain	LIFE TECH	21-Aug-23	0.0003
CellMask Deep Red plasma membrane stain	LIFE TECH	21-Sep-23	0.0003

LANL Facility-Wide Paint Analysis - 2023

CHEMICAL_NAME	MANUFACTURER_NAME	CONT_ADD_DATE	SumOfCalculation (lb)
SYTO RNASelect green fluorescent cell stain (5 mM solution in DMSO)	LIFE TECH	21-Sep-23	0.0003
SYTO 9 green fluorescent nucleic acid stain	LIFE TECH	14-Jun-23	0.0003
Total			2209.6 lb 1.10 tons

ATTACHMENT 4
NESHAP Applicability Summary

EPC-DO: 24-196

LA-UR-24-28891

Date: September 3, 2024

40 CFR 63, Subpart HHHHHH - National Emission Standards for Hazardous Air Pollutants: Paint Stripping and Miscellaneous Surface Coating Operations at Area Sources

63.11170 Am I subject to this subpart?

(a) You are subject to this subpart if you operate an [area source](#) of HAP as defined in [paragraph \(b\)](#) of this section, including sources that are part of a tribal, local, [State](#), or Federal [facility](#) and you perform one or more of the activities in paragraphs (a)(1) through (3) of this section:

(1) Perform [paint stripping](#) using MeCl for the removal of dried paint (including, but not limited to, paint, enamel, varnish, shellac, and lacquer) from wood, metal, [plastic](#), and other substrates.

(2) Perform spray application of coatings, as defined in [§ 63.11180](#), to [motor vehicles](#) and [mobile equipment](#) including operations that are located in stationary structures at fixed locations, and mobile repair and refinishing operations that travel to the customer's location, except spray [coating](#) applications that meet the definition of [facility](#) maintenance in [§ 63.11180](#). However, if you are the [owner or operator](#) of a [motor vehicle](#) or [mobile equipment](#) surface [coating](#) operation, you may petition the [Administrator](#) for an exemption from this subpart if you can demonstrate, to the satisfaction of the [Administrator](#), that you spray apply no [coatings](#) that contain the [target HAP](#), as defined in [§ 63.11180](#). Petitions must include a description of the [coatings](#) that you spray apply and your [certification](#) that you do not spray apply any [coatings containing](#) the [target HAP](#). If circumstances change such that you intend to spray apply [coatings containing](#) the [target HAP](#), you must submit the initial [notification](#) required by 63.11175 and comply with the [requirements](#) of this subpart.

(3) Perform spray application of [coatings](#) that contain the [target HAP](#), as defined in [§ 63.11180](#), to a [plastic](#) and/or metal substrate on a part or [product](#), except spray [coating](#) applications that meet the definition of [facility](#) maintenance or [space vehicle](#) in [§ 63.11180](#).

Target HAP are compounds of chromium (Cr), lead (Pb), manganese (Mn), nickel (Ni), or cadmium (Cd).

Applicability to LANL: LANL is an area source of HAP due to federally enforceable HAP emission limits in their Title V Operating Permit. However, LANL does not perform any of the activities listed in sub-paragraphs (1), (2), or (3) listed above. Therefore, LANL is not subject to 40 CFR 63, Subpart HHHHHH.

40 CFR 63, Subpart XXXXXX - National Emission Standards for Hazardous Air Pollutants Area Source Standards for Nine Metal Fabrication and Finishing Source Categories

63.11514 Am I subject to this subpart?

(a) You are subject to this subpart if you own or operate an [area source](#) that is [primarily engaged](#) in the operations in one of the nine source categories listed in paragraphs (a)(1) through (9) of this section. Descriptions of these source categories are shown in Table 1 of this subpart. “Primarily engaged” is defined in [§ 63.11522](#), “What definitions apply to this subpart?”

(1) Electrical and Electronic [Equipment](#) Finishing Operations;

(2) Fabricated Metal Products;

(3) Fabricated Plate Work (Boiler Shops);

(4) Fabricated Structural Metal Manufacturing;

(5) Heating [Equipment](#), except Electric;

(6) Industrial Machinery and [Equipment](#) Finishing Operations;

(7) Iron and Steel Forging;

(8) Primary Metal [Products](#) Manufacturing; and

(9) Valves and Pipe Fittings.

Applicability to LANL: LANL is not primarily engaged in the operations of any of the nine listed source categories. Therefore, LANL is not subject to 40 CFR 63, Subpart XXXXXX.